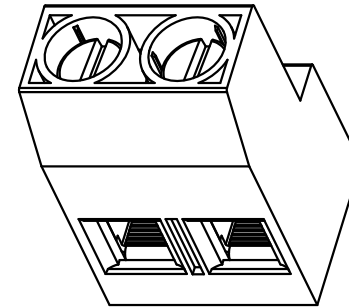
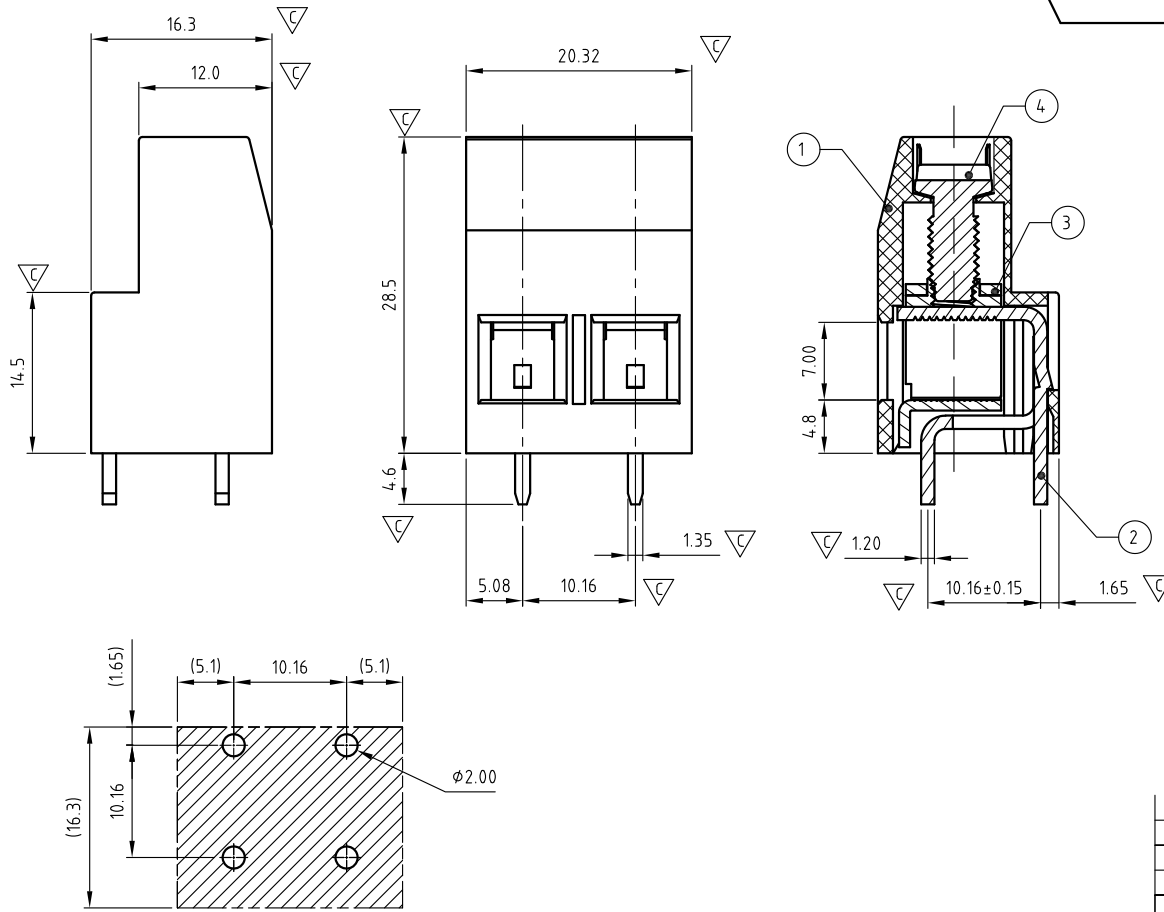


Transfer or duplication of this document as well as the utilisation or communication of its content are not permitted unless express consent is granted. Violations give rise to claims for damages. All rights reserved in case of patent, utility model or design patent registrations.



Technical data

- 1.Nominal voltage: B 300V/65A,D 300V 10A  
PITCH:10.16mm

△ IEC60947-7-4

| Overvoltage category/Pollution degree      | III/3 | III/2 | II/2 |
|--|-------|-------|------|
| Rated insulation voltage (Ui)(V)           | 400   | 630   | 800  |
| Rated impulse withstand voltage (Uimp)(KV) | 6     | 6     | 6    |

- 2.Connection capacity:  
AWG 22-6
- 3.Insulation Withstanding Voltage:  
AC 2200V/MIN
- 4.Insulation Resistance:  
1000MΩ or more at DC500V
- 5.Tightening torque:  
15.6Lb-In (18.0kgf.cm/1.8N.m)
- 6.Screw thread: M4.5
- 7.Stripping length: 10-11mm
- 8.Using temperature range:-40C°-115C°  
Soldering temperature:250±10C° /5s
- 9.Safety approval:
- 10.RoHS Compliance
- 11.Critical dimension: ▽
- 12.Cust part No.: CAFSHM11602GA00

P.C.B. LAYOUT

| 4    | SCREW        | STEEL        |            | ZN PLATED           | 2                              |
|------|--------------|--------------|------------|---------------------|--------------------------------|
| 3    | CAGE         | STEEL        |            | t=1.0mm ,ZN PLATED  | 2                              |
| 2    | CONTACT      | COPPER ALLOY |            | t=1.2mm ,TIN PLATED | 2                              |
| 1    | BODY         | PA66 UL94V-0 |            | PALE GREY RAL7035   | 1                              |
| ITEM | NAME OF PART | MATERIAL     |            | NOTES               | Q'TY                           |
| DWG. | WF. Zhang    | DATE         | 2021.08.11 | UNITS:              | MM                             |
| CHK. | WF. Zhang    | DATE         | 2023.09.18 | SCALE:              | NONE 3:1 ( : )                 |
| APP. |              | DATE         |            | REV.:               | B                              |
|      |              |              |            | TITLE:              | FS-HM116 Series " " Slot screw |
|      |              |              |            | PART NO.:           | FSHM11602GA0C                  |
|      |              |              |            | DWG NO.:            | FS-H116-B101                   |
|      |              |              |            | X.                  | ±0.50                          |
|      |              |              |            | X.X                 | ±0.30                          |
|      |              |              |            | X.XX                | ±0.10                          |
|      |              |              |            | X°                  | ±1°                            |

|     |      |                    |      |         |
|-----|------|--------------------|------|---------|
| B   | △    | Added is IEC SPEC. | WF.Z | 9/18'23 |
| REV | SIGN | DESCRIPTION        | CHK. | DATE    |



KUNA Contact Technology Co, Ltd  
http://www.kunacon.com